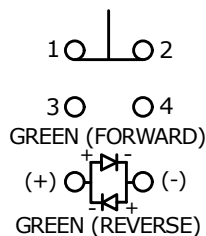


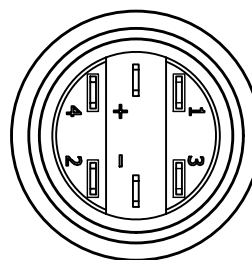
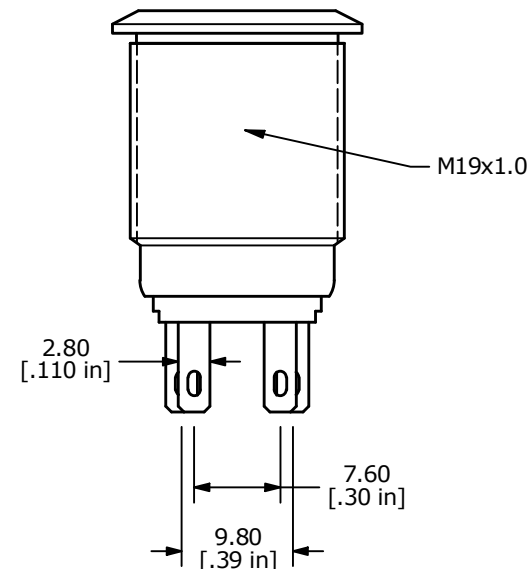
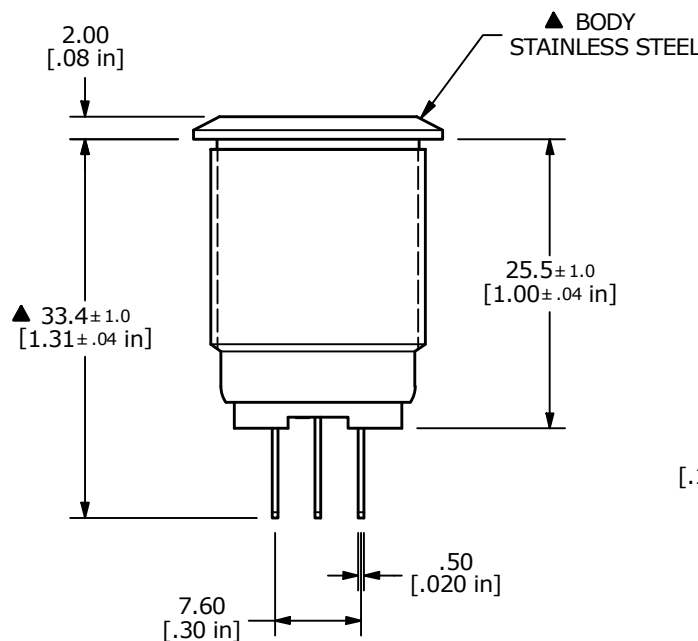
▲ **SWITCH FUNCTION**

POS. 1	POS. 2
1-2 ON 3-4 OFF	1-2 (OFF) 3-4 (ON)

() = MOMENTARY



▲ **CONTACT CONFIGURATION**
SPDT ON-(OFF) / OFF-(ON)



- NOTE:
- ALL DIMENSIONS IN MM [INCH]
 - GENERAL TOLERANCE: X.X = ±0.4
X.XX = ±0.25
 - TERMINAL NUMBERS FOR REF ONLY
 - ▲ CONTACT MATERIAL: GOLD
 - RATING: 2A 24VDC
 - ELECTRIC LIFE: 50,000 MAKE-AND-BREAK CYCLES AT FULL LOAD.
 - INSULATION RESISTANCE: 1,000 MΩ MIN.
 - DIELECTRIC STRENGTH: 2,000 VAC MIN. FOR 1 MINUTE
 - CONTACT RESISTANCE: 50mΩ MAX. @ 1A 12VDC
 - OPERATING TEMP.: -20°C to 55°C
 - TRAVEL: 2.8mm
 - ▲ DENOTES CRITICAL PARAMETER.
 - ▲ 13. LAMP VOLTAGE: 24V
 14. INGRESS PROTECTION: IP65
 - ▲ 15. HARDWARE SUPPLIED: O-RING and HEXNUT



A	24372	release	6/30/20	MW
REV	PCR NO	DESCRIPTION	DATE	BY

TITLE PV4F2Y0SSG-335				
SCALE 3:2	DATE 6/30/2020	DR MW	DWG 52-PV4F2Y0SSG335	REV A

THE INFORMATION CONTAINED IN THIS DOCUMENT IS PROPRIETARY TO E-SWITCH AND IS NOT TO BE COPIED OR TRANSFERRED